

BILL OF MATERIALS				
ITEM	QTY	PART No.	DESCRIPTION	
1	2	428612	100# CO2 CYLINDER W/CV98 VALVE	
2	2	427082	FLEX DISCHARGE BEND	
3	1	73327	HF ELECTRIC ACTUATOR	
4	1	428949	BOOSTER ACTUATOR	
5	2	422650	CORROSION RESISTANT D NOZZLE, CODE 2.5	
6	2	422657	CORROSION RESISTANT D NOZZLE, CODE 6.0	
7	2	404845	SS REGULAR SEALED NOZZLE, CODE 2.0	
8	4	45121	100 LB CYLINDER STRAP	
9	4	45261	100 LB CYLINDER CHANNEL	
10	1	417696	AUTOPULSE 442R (120 VAC)	
11	1	417881	ZONE RELAY MODULE, 4X2M	
12	1	417692	BATTERY, 7AH	
13	3	426302	UV/IR DETECTOR, DGR1-S1	
14	1	428665	HORN/STROBE, 75 CANDELLA	
15	1	429700	SURFACE BACK BOX	
16	1	428655	MANUAL PULL STATION	
17	1	428660	SURFACE MOUNT BOX, SINGLE GANG	
18	1	76498	KEY LOCKOUT SWITCH, SURFACE MOUNT	
19	1	BY OTHERS	LINEAR HEAT DETECTION CABLE	

Nozzle Summary				
H264-DE & CABINETS				
NODE	PT.	SIZE	PART No.	CODE
301		1/2"	422650	2.5
302		1/2"	422650	2.5
501		1/2"	404845	2.0
502		1/2"	422657	6.0
503		1/2"	404845	2.0
504		1/2"	422657	6.0

Carbon Dioxide Pipe Installation Notes:

- 1) All tubing inside the clean room shall be 304 or 316 stainless steel and shall conform to ASTM A213 or A269.
- 2) Tubing wall thickness shall be in compliance with the table on this page.
- 3) All tubing shall be in accordance with fitting manufacturers guidelines.
- 4) All tubing shall be supported in compliance with any applicable codes. All dimensions to be field checked and any deviation from installation drawings noted. Any changes to the piping arrangement will require a complete review of the calculations by the designer.

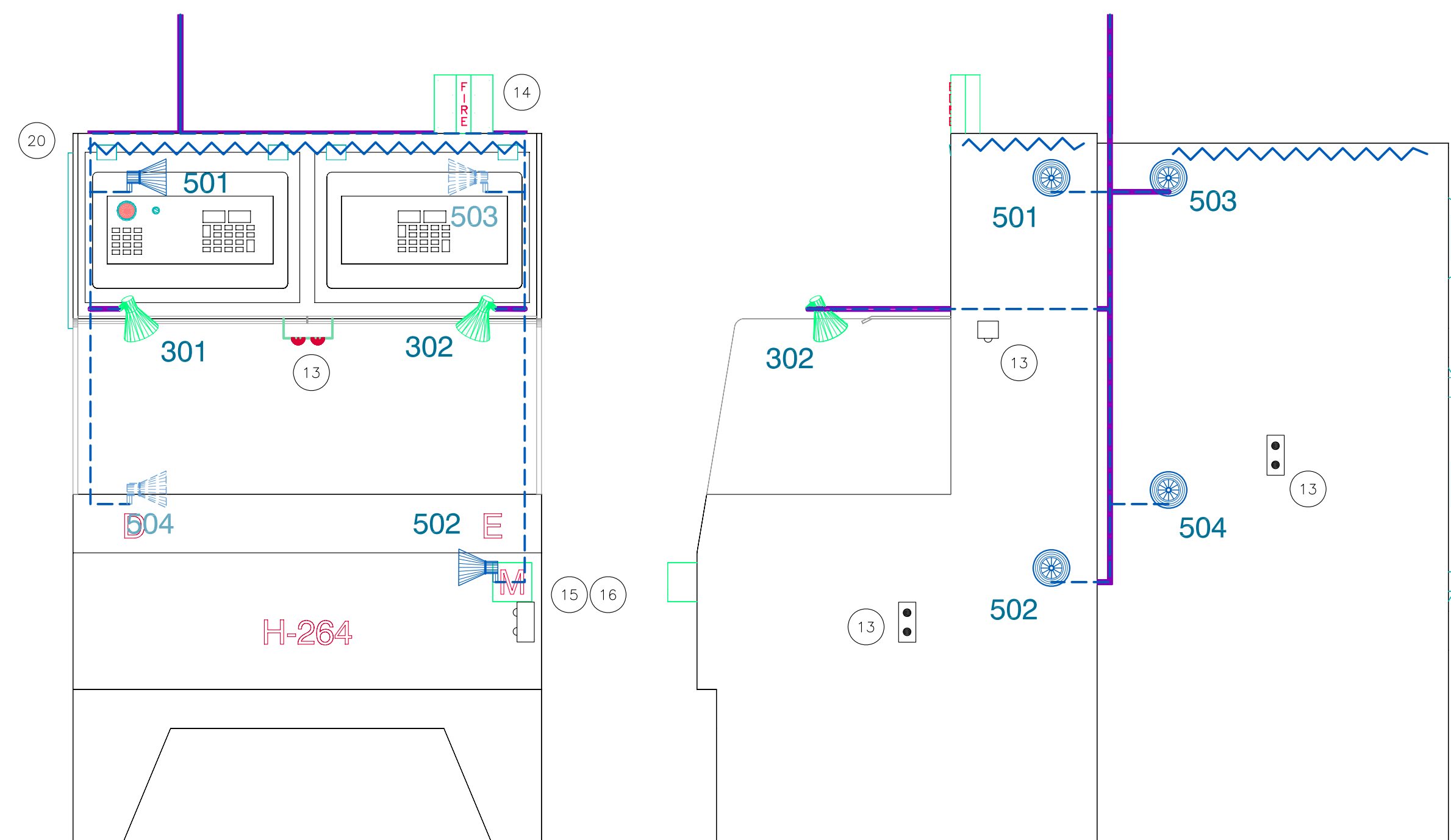
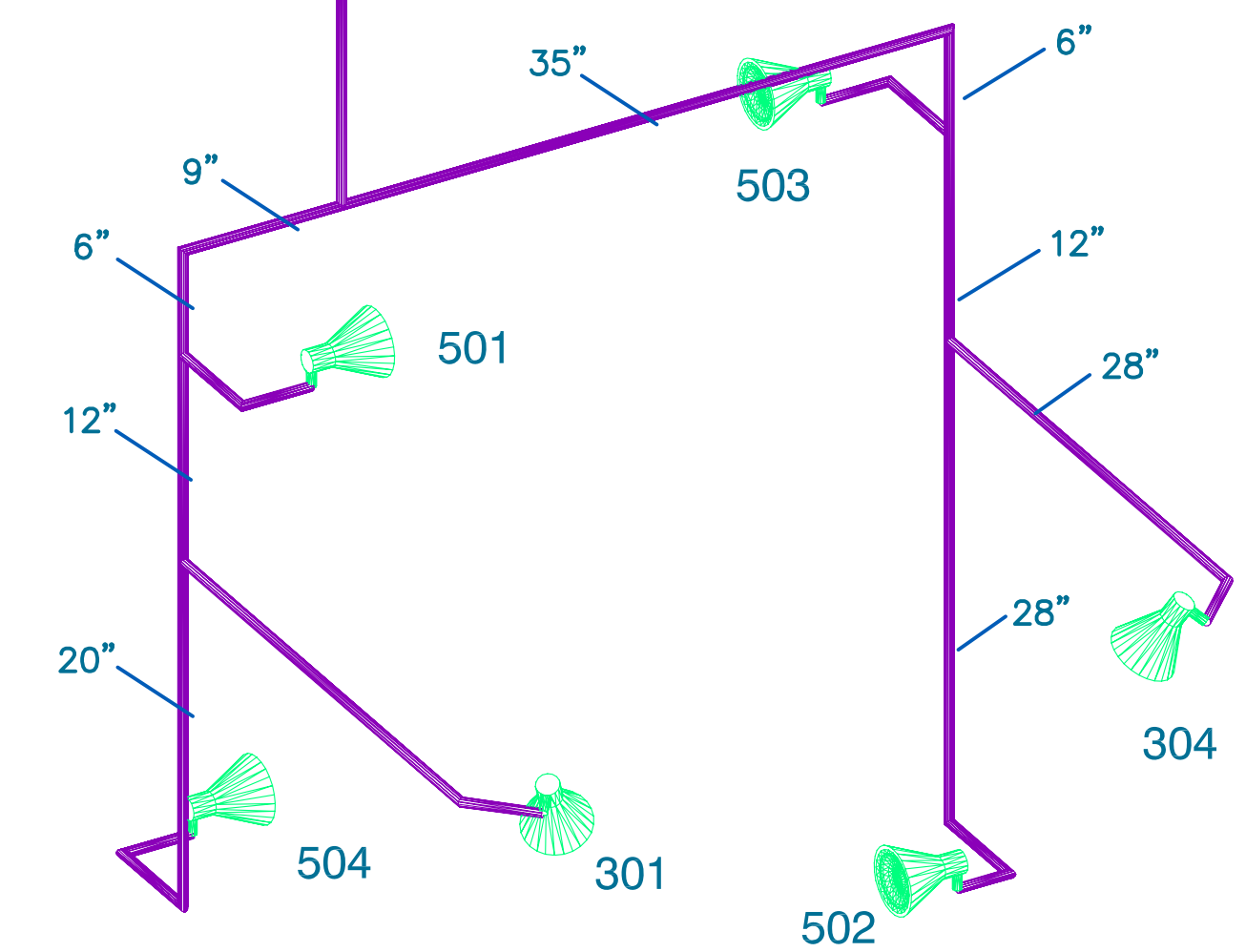
Detection System Installation Notes:

- 1) Flame detectors protecting enclosed areas shall be positioned to provide an unobstructed view of the hazard area being protected.
- 2) Control wiring for the fire suppression system shall be run separate from AC wiring.
- 3) Location of fire suppression system control panel to be determined by installer and/or End User.
- 4) The location of the Audible/Visual alarm device(s) and Electric Manual Pull stations to be installed in compliance with any applicable codes.

TUBE SIZE	O.D.	WALL	I.D.	WT (LBS)/FT
1/2" SST	0.5"	0.035"	0.430"	0.175
3/4" SST	0.75"	0.065"	0.620"	0.490
1" SST	1"	0.095"	0.810"	0.940

PIPING ISOMETRIC

ALL PIPE - 1/2"



FRONT VIEW

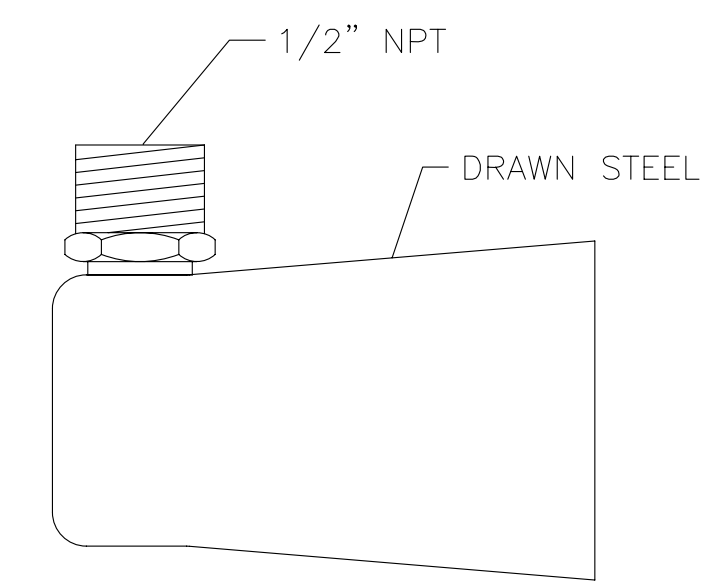
1 Inch = 1 Foot

SIDE VIEW

1 Inch = 1 Foot

BACK VIEW

1 Inch = 1 Foot



"CR" D NOZZLE DETAIL

No Scale

LEGEND

- CR CO2 NOZZLE
- UV/IR DETECTOR (13)
- HORN STROBE (14)
- MANUAL PULL STATION (15) (16)
- AUTOPULSE 442R CONTROL PANEL (10) (11) (12)
- PROTECTOWIRE (19)

NO.	DATE	BY	REVISION



14818 W. 6th AVE. Ste. 4A
GOLDEN, COLORADO 80401
PHONE #: (303) 273-9800

TEMPE, AZ SEATTLE, WA. ELKO, NV.
SALT LAKE CITY, UT. ANTOFAGASTIA, CHILE

ATMEL CORPORATION
1150 E. Cheyenne Mtn Blvd.
Colorado Springs, Colorado

H264-DE
Co2 Fire Suppression System
As Built

ENG. BY: SCALE: As Noted
DWG BY: DLS DATE: June, 03 DWG NO: SHEET 3 OF 3