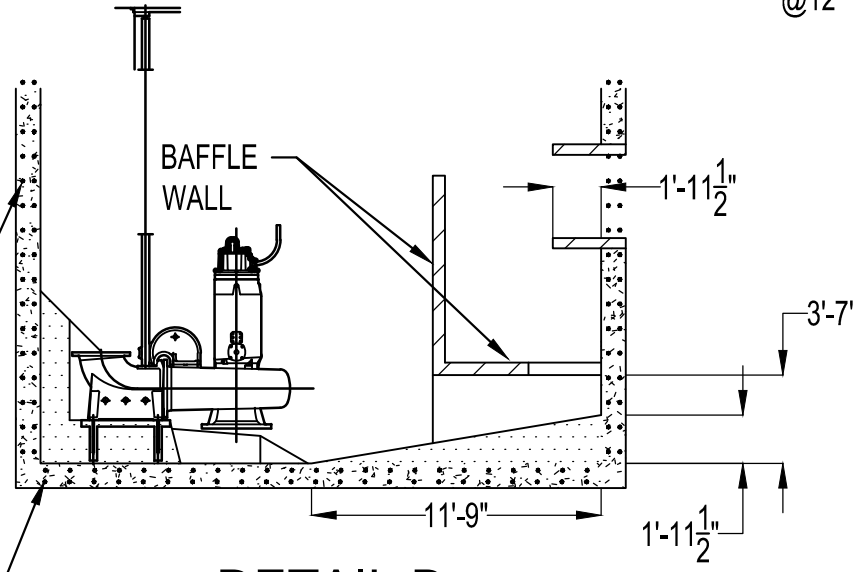


DETAIL A

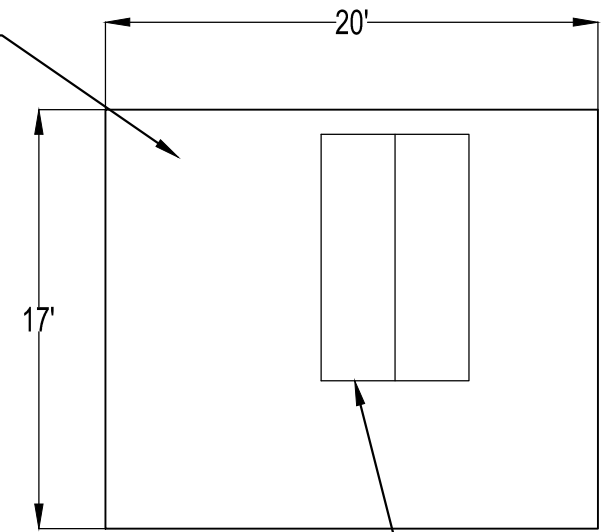
#5 BARS @12" O.C., BOTH WAYS

#5 BARS TOP AND BOTTOM @12" O.C., BOTH WAYS



DETAIL B

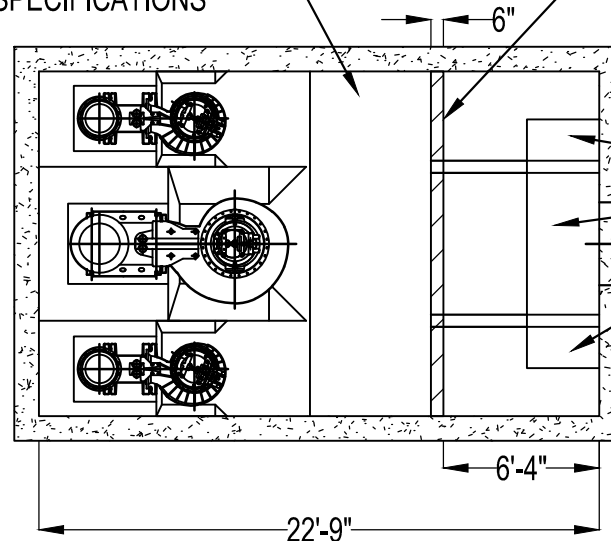
12" THICK SLAB W/ #5 BARS TOP AND BOTTOM @12" O.C., BOTH WAYS



6'x10' DOUBLE DOOR ALUMINUM HATCH COVER POSITION TO ALLOW LADDER ACCESS

LANE INTERNATIONAL CORPORATION POLYPROPYLENE 15 FOOT VAULT LADDER WITH 42" PULL UP HAND RAIL MOUNT LADDER ON WALL WITH EPOXY ANCHOR BOLTS PER LADDER AND BOLT MANUFACTURER SPECIFICATIONS

CONCRETE BAFFLE WALLS, 6" THICK W/#4 BARS @ 12" O.C., BOTH WAYS, STEEL TIE TO EXTERIOR WALLS (PER FLYGT DRAWING 1/10/08)



OPEN TO BELOW

NOTE: BENTONITE WATER STOPS TO BE ADDED AT BASE OF WALLS AND ANY POUR BREAKS

DETAIL C

NOTE: WET WELL DIMENSIONS PER FLYGT DRAWING DATED 1-14-08